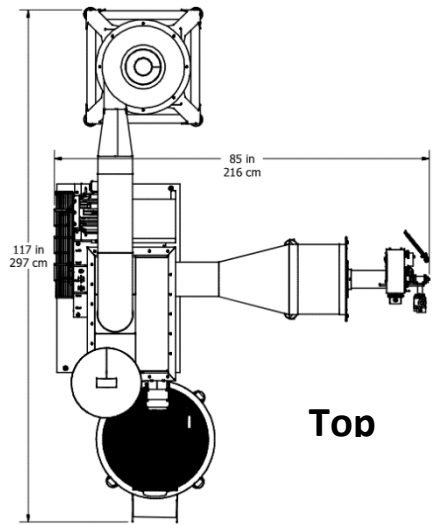
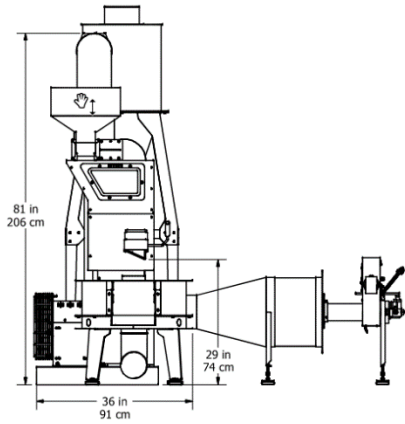
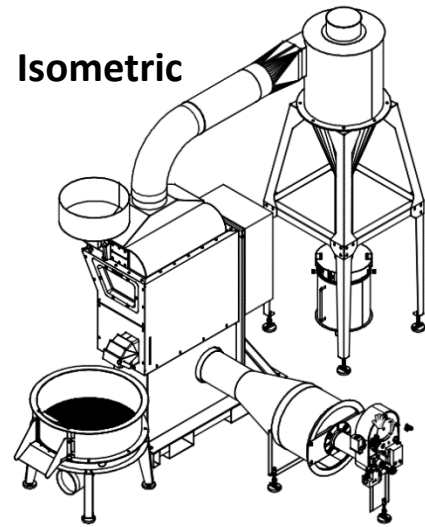


# SIVETZ SRM15 Technical Specifications

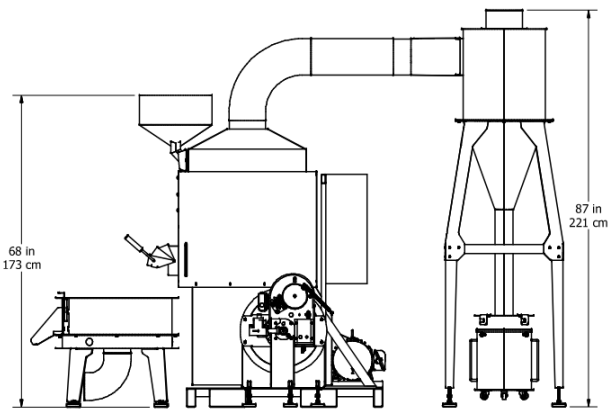


**Top**

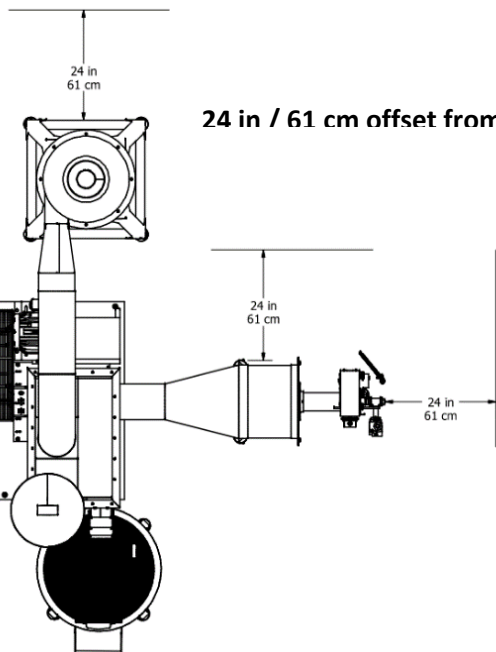
**Isometric**



**Front**

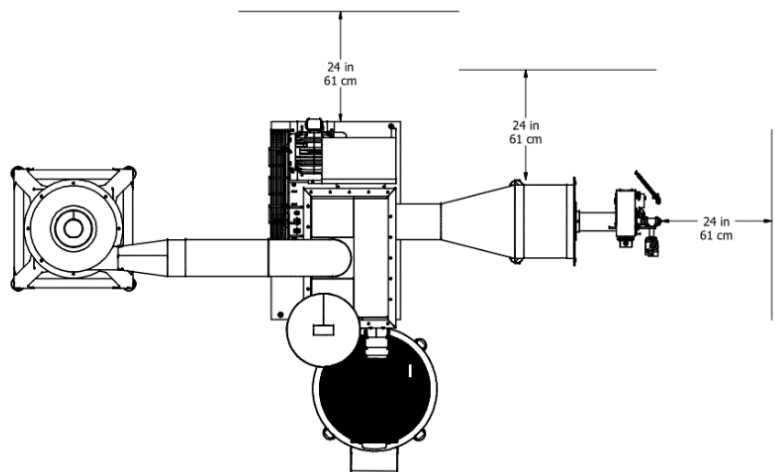


**Side**



**24 in / 61 cm offset from structure or other equipment**

**Option 1: Chaff Collector behind roaster**



**Option 2: Chaff Collector left of roaster**

Weight	980 lbs (445 kg)	
Roast Chamber (L x W x H)	35" x 20" x 64" (890 mm x 508 mm x 1625 mm)	Stainless Steel
Chaff Cyclone (L x W x H)	26" x 26" x 85" (660 mm x 660 mm x 2159 mm)	Stainless Steel
Cooling Tray (L x W x H)	29" x 29" x 24" (737 mm x 737 mm x 610 mm)	Stainless Steel
Overall Footprint (L x W)	ca. 10' x 6' (3048 mm x 1830 mm) or ca. 7' x 9' (2134mm x 3744 mm)	Chaff Collector left of roaster Chaff Collector behind roaster
Power	208V-240V, 40 Amp, 1-Phase 200V-480V, 40 Amp, 3-Phase	50 or 60 Hz 50 or 60 Hz
Motors	3 HP Blower Motor with VFD (single phase or 3-phase) 1 HP Cooling Motor (wired to control panel)	50/60 Hz 50 or 60 Hz
Control Panel	PLC touch screen, variable fan speed and gas control, programmable and repeatable profiles.	
Burner		
Max Rating	400,000 BTU/HR	
Natural Gas Pressure	7 in. w.c.* (ca. 18 cm w.c.)	* in. w.c. = water column inches
LP Gas Pressure	11 in. w.c.* (ca. 28 cm w.c.)	* in. w.c. = water column inches
Batch Size	7kg (18 lbs) or 15kg (33 lbs)	
Roasting Time	7-11 minutes	
Green Beans/hr	Up to 60 kg (132 lbs)	

For sales contact: